

# MCKARLEN

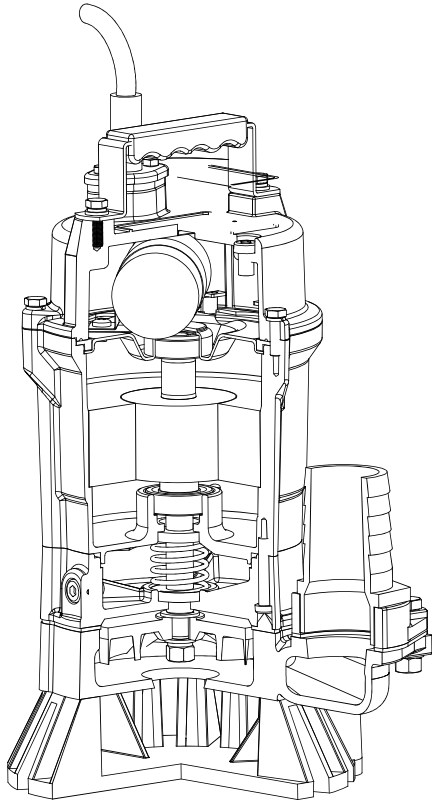
KA Series - 50Hz



## DEWATERING PUMP

# DEWATERING PUMP - KA SERIES

# MCKARLEN



Weight : 12 - 17.8 kg

## SPECIFICATION

OUTPUT	HEAD	FLOW
0.4 kW - 0.75 kW	12m - 19 m	240 l/min - 270 l/min

### Motor

2 Pole, 50Hz, 2850rpm  
Insulation Class : E  
1 Phase  
Protection Type IP68

### Pump

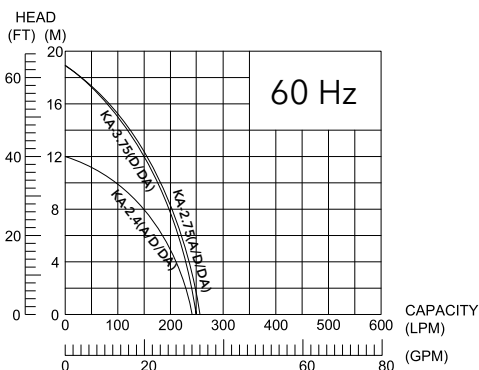
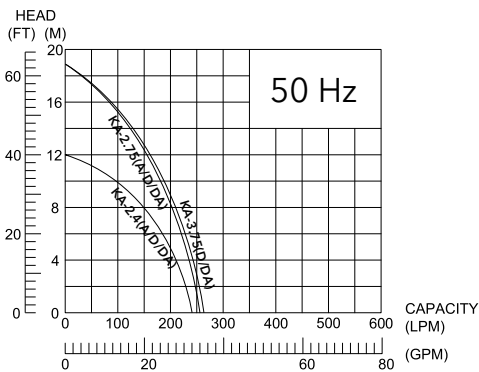
Impeller : Semi-vortex  
Material  
Impeller : Urethane Rubber (KA-2.4)  
Impeller : Hytrel (KA-2.75 - KA-3.75)  
Casing : Cast Iron / FCD700  
Strainer : PVC  
Shaft : SUS403 (KA-2.4)  
Shaft : SUS410 (KA-2.75 & KA-3.75)  
pH 6 up to 8  
Max. liquid temp : 40°C (104°F)

### Application

1. General water intake or draining
2. Dewatering in construction site
3. Draining water from basement / cellar / pits
4. Draining or rain water and puddle
5. Draining of the treated water in water treatment plants
6. Water intake fo gardening or irrigation

### Features

1. Anti-wicking cable entry
2. Dual inside mechanical seal with silicon carbide side
3. Oil lifter
4. Built motor protection
5. Agitator for clog prevention
6. Design fo easier maintenance
7. Wear-resistant pump section
8. Shock resistant strainer stand
9. Energy saving (Automatic Type)
10. Prevent dry-running (Automatic Type)



Hz	Model	Output		Outlet		Head (M)	Flow (LPM)	Dimension (mm)	Weight (Kg)
		HP	kW	mm	inch				
50Hz	KA-2.4	1/2	0.4	50	2"	12	240	250 x 179 x 342	12
	KA-2.4A	1/2	0.4	50	2"	12	240	250 x 179 x 342	12.3
60Hz	KA-2.4D	1/2	0.4	50	2"	12	240	250 x 179 x 342	12
	KA-2.4DA	1/2	0.4	50	2"	12	240	250 x 179 x 342	12.3
50Hz	KA-2.75	1	0.75	50	2"	19	260	285 x 184 x 394	17.5
	KA-2.75A	1	0.75	50	2"	19	260	285 x 184 x 394	17.8
60Hz	KA-2.75D	1	0.75	50	2"	19	260	285 x 184 x 394	17.5
	KA-2.75DA	1	0.75	50	2"	19	260	285 x 184 x 394	17.8
50Hz	KA-3.75D	1	0.75	80	3"	19	270	285 x 184 x 394	17.5
	KA-3.75DA	1	0.75	80	3"	19	270	285 x 184 x 394	17.8
60Hz	KA-3.75D	1	0.75	80	3"	19	250	285 x 184 x 394	17.5
	KA-3.75DA	1	0.75	80	3"	19	250	285 x 184 x 394	17.8

\* Three phase motor available by customized order.