

# **MCKARLEN**

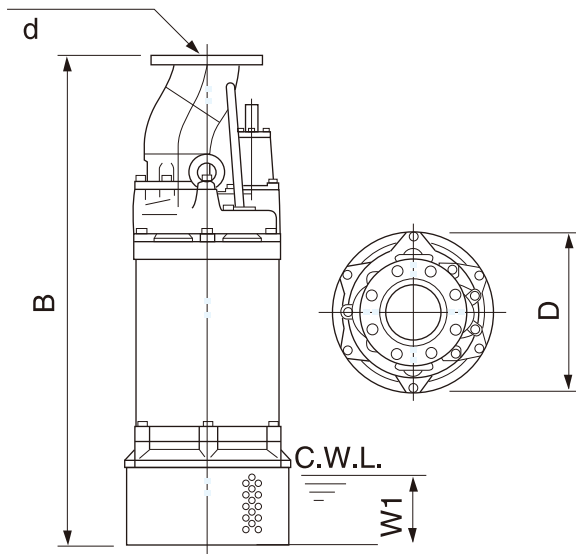
**KLH - 50Hz**



## **SEWAGE PUMP**



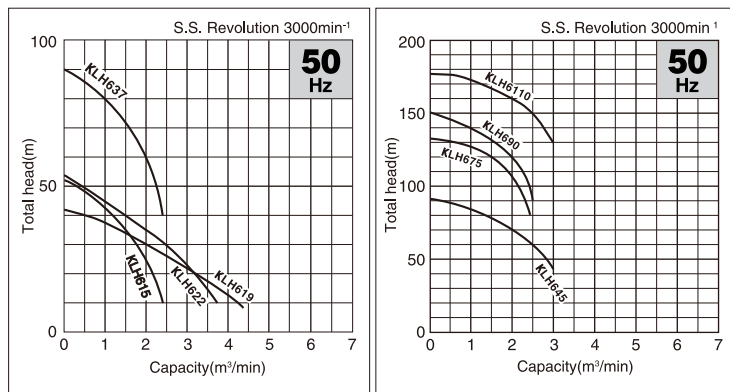
## DIMENSION



Unit:mm

Model	d	B	D	W1
KLH615	150	1014	330	185
KLH619	150	1423	420	270
KLH622	150	1423	420	270
KLH637	150	1448	530	180
KLH645	150	1448	530	180
KLH675	150	1676	550	200
KLH690	150	1787	592	200
KLH6110	150	1787	592	200

## PERFORMANCE CURVE



## SPECIFICATIONS

Discharge Bore mm	Model	Motor Output kW	Phase	Total Head m	Capacity m³/min	Starting Method	Dry Weight kgs	Length of Cable m
150	KLH615	15	Three-phase	35/25	1.5/2.0	D.O.L.	213	10
150	KLH619	19	Three-phase	30	2.0	D.O.L.	350	10
150	KLH622	22	Three-phase	35	2.0	D.O.L.	360	10
150	KLH637	37	Three-phase	80/60	1.0/2.0	Star-Delta	495	10
150	KLH645	45	Three-phase	80/60	1.4/2.5	Star-Delta	510	10
150	KLH675	75	Three-phase	120	1.5	Star-Delta	850	10
150	KLH690	90	Three-phase	120	2.0	Star-Delta	1100	20
150	KLH6110	110	Three-phase	160	2.0	Star-Delta	1200	20

## MATERIAL

Item		Discharge size mm	100	150	200
Pumping fluid	Type of fluid	Rain water, Ground water, Sand laden water			
	Liquid temperature	0~40°C			
Pump	Components	Impeller	Closed type		
		Shaft seal	Double mechanical seal, Water pressure endurance, 5kgf/cm <sup>2</sup> {0.49MPa}		
		Bearing	Shielded ball bearing		
	Materials	Impeller	Chromium iron casting		
		Casing	Gray iron casting		
		Mouth ring	Chromium iron casting		
	Shaft seal (mechanical seal)	Silicon carbide			
Motor	Type, poles	Dry-type submersible induction motor, 2 poles			
	Insulation	Class B (15~22kW), Class F (30~110kW)			
	Phase / Voltage	Three-phase / 220V, 380V, 400V, 415V, 440V, 460V, 525V, 575V			
	Motor protector(built-in)	Circle thermal protector (15~22kW), Miniature protector (30kW or over)			
	Leakage sensor(built-in)	Electrode type (55kW or over)			
	Lubricant	Turbine oil (ISO VG32)			
	Materials	Frame	Gray iron casting		
		Shaft	Stainless steel #420		
		Cable	Chloroprene sheath		
Discharge connection		JIS10K Flange (15~55kW) JIS20K Flange (75kW or over)			

## Standart Material

- Cabtyre cable 1 pc (2 pcs for 90 kW version or up)
- Discharge pipe 1 pc (on JIS10K flange specs; accompanying 422, 430, 615, 619, 622, 637, 645, 837, 845, 855, 875 and 8110 types)
- Discharge pipe 1 pc (on JIS20K flange specs; accompanying 675, 690 and 6110 types)
- Electrode-type leakage sensor 1 set (55 kW or over)
- Cathodic protection anodes

## Optional Specifications

- Extended cable
- Special paint