

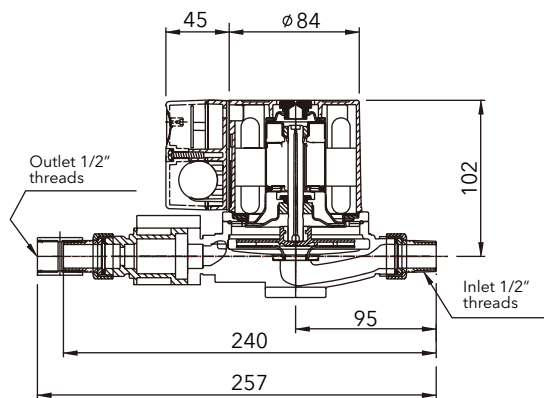
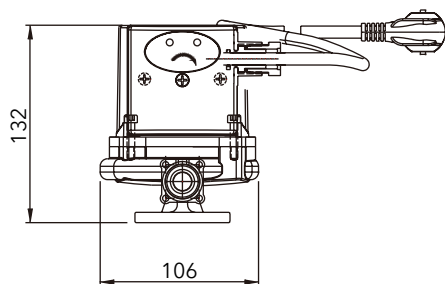
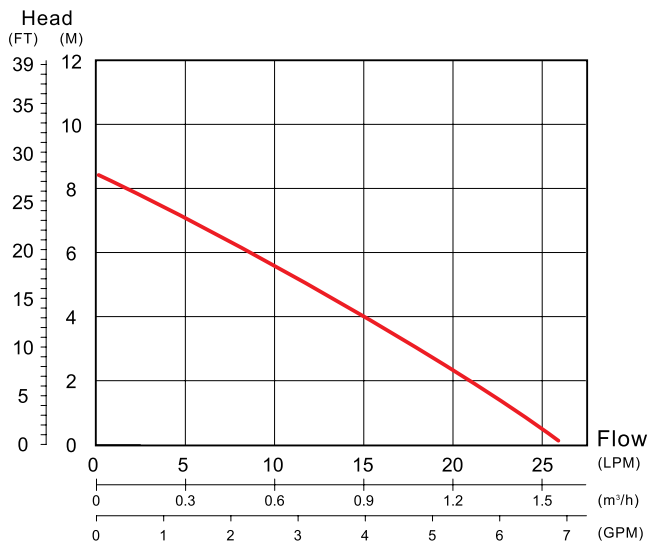
MCKARLEN

HOT WATER CIRCULATOR



HOT WATER CIRCULATOR JA-80

MCKARLEN



unit : mm

Weight : 3.5 kg

SPECIFICATION

OUTPUT	HEAD	FLOW
0.125 kW	Rated : 4m	Rated : 15 L/m
0.1 HP	Max : 8.5	Max : 26 L/m

Pump Type	Circulator Pump	
	1-Phase	
Switch	Automatic (Built in)	
Motor	Insulation	Class F - IP42
Pump Casing	No leaking issue	
Rotor Casing	Prevents coil from water	
Materials	Pump Casing	Cast Iron ADC 12
	Impeller	PP+GF
	Motor Housing	ADC12
	Bearing	AL203
	Bearing Cover	SUS304
Max Liquid Temperature	40°C	
pH Range	6 ~ 8	
Outlet	3/4"	

Specifications can be changed without notice